

APPENDIX A



Resource Protection Well Report

Submit one well report per well installed. See page two for instructions.

Type of Work:

- Construction
- Decommission \Rightarrow Original NOI No. _____

Ecology Well ID Tag No. BPA-213

Site Well Name MW-1

Consulting Firm DBD WASHINGTON LLC.

Was a variance approved for this well/boring? Yes No

If yes, what was the variance for? _____

WELL CONSTRUCTION CERTIFICATION: I constructed and/or accept responsibility for construction of this well, and its compliance with all Washington well construction standards. Materials used and the information reported are true to my best knowledge and belief.

Driller Trainee Engineer

Name (Print Last, First Name) Rider, Daniel

Driller/Engineer/Trainee Signature Daniel Rider

License No. 3223

Company Name Anderson Environmental Contracting LLC

If trainee box is checked, sponsor's license number: _____

Sponsor's signature _____

Notice of Intent No. RE23927

Type of Well:

- Resource Protection Well Injection Point
- Remediation Well Grounding Well
- Geotechnical Soil Boring Ground Source Heat Pump
- Environmental Boring Other _____

\hookrightarrow Soil- Vapor- Water-sampling

Property Owner WASHINGTON DAIRY HOLDINGS LLC.

Well Street Address 5111 VAN BELLE RD

City OUTLOOK County YAKIMA

Tax Parcel No. 221016-42004

Location (see instructions): _____ WWM or EWM

NW $\frac{1}{4}$ - $\frac{1}{4}$ SE $\frac{1}{4}$, Section 16 Town 10N Range 22E

Latitude (Example: 47.12345) _____

Longitude (Example: -120.12345) _____

(WGS 84 Coordinate System)

Borehole diameter 6 inches Casing diameter 2 inches

Static water level 17 ft below top of casing Date 12/28/2022

Above-ground completion with bollards Flush monument

\hookrightarrow Stick-up of top of well casing _____ ft above ground surface

Start Date 12/28/2022 Completed Date 12/28/2022

Construction/Design	Well Data	Formation Description
	Concrete Surface Seal Depth <u>2</u> FT	<u>0-17</u> FT
	Blank Casing (dia x dep) <u>2" x 12'</u>	DRY SILTY SAND
	Material <u>PVC</u>	
	Backfill _____ FT	
	Type <u>Chips</u>	<u>17-25</u> FT
	Seal <u>6</u> FT	WET SILTY SAND
	Gravel Pack <u>14</u> FT	
	Material <u>Sand</u>	
	Screen (dia x dep) <u>2" x 10'</u>	_____ FT
	Slot Size <u>.001</u>	
Material <u>PVC</u>		
Well Depth <u>22</u> FT		
Backfill <u>3'</u>		
Material <u>CHIPS</u>		
Total Hole Depth <u>25</u> FT		
		Space Reserved for Ecology Stamp of Receipt

ECY050-12 (07/2018) To request ADA accommodation including materials in a format for the visually impaired, call Ecology Water Resources Program 360-407-6872. Persons with impaired hearing may call Washington Relay Service at 711. Persons with speech disability may call TTY at 877-833-6341.



Resource Protection Well Report

Submit one well report per well installed. See page two for instructions.

Type of Work:

- Construction
- Decommission \Rightarrow Original NOI No. _____

Ecology Well ID Tag No. BPA-214

Site Well Name MW-2

Consulting Firm DBD WASHINGTON LLC.

Was a variance approved for this well/boring? Yes No

If yes, what was the variance for? _____

WELL CONSTRUCTION CERTIFICATION: I constructed and/or accept responsibility for construction of this well, and its compliance with all Washington well construction standards. Materials used and the information reported are true to my best knowledge and belief.

Driller Trainee Engineer

Name (Print Last, First Name) Rider, Daniel

Driller/Engineer/Trainee Signature Daniel Rider

License No. 3223

Company Name Anderson Environmental Contracting LLC

If trainee box is checked, sponsor's license number: _____

Sponsor's signature _____

Notice of Intent No. RE23927

Type of Well:

- Resource Protection Well Injection Point
- Remediation Well Grounding Well
- Geotechnical Soil Boring Ground Source Heat Pump
- Environmental Boring Other _____

\hookrightarrow Soil- Vapor- Water-sampling

Property Owner WASHINGTON DAIRY HOLDINGS LLC.

Well Street Address 5111 VAN BELLE RD

City OUTLOOK County YAKIMA

Tax Parcel No. 221016-42004

Location (see instructions): _____ WWM or EWM

NW $\frac{1}{4}$ - $\frac{1}{4}$ SE $\frac{1}{4}$, Section 16 Town 10N Range 22E

Latitude (Example: 47.12345) _____

Longitude (Example: -120.12345) _____

(WGS 84 Coordinate System)

Borehole diameter 6 inches Casing diameter 2 inches

Static water level 17 ft below top of casing Date 12/28/2022

Above-ground completion with bollards Flush monument

\hookrightarrow Stick-up of top of well casing _____ ft above ground surface

Start Date 12/28/2022 Completed Date 12/28/2022

Construction/Design	Well Data	Formation Description
	Concrete Surface Seal Depth <u>2</u> FT	<u>0-17</u> FT DRY SILTY SAND
	Blank Casing (dia x dep) <u>2" x 12'</u>	
	Material <u>PVC</u>	
	Backfill _____ FT	
	Type <u>Chips</u>	<u>17-25</u> FT WET SILTY SAND
	Seal <u>6</u> FT	
	Gravel Pack <u>14</u> FT	
	Material <u>Sand</u>	
	Screen (dia x dep) <u>2" x 10'</u>	
	Slot Size <u>.001</u>	
Material <u>PVC</u>		
Well Depth <u>22</u> FT		Space Reserved for Ecology Stamp of Receipt
Backfill <u>3'</u>		
Material <u>CHIPS</u>		
Total Hole Depth <u>25</u> FT		

ECY050-12 (07/2018) To request ADA accommodation including materials in a format for the visually impaired, call Ecology Water Resources Program 360-407-6872. Persons with impaired hearing may call Washington Relay Service at 711. Persons with speech disability may call TTY at 877-833-6341.



Resource Protection Well Report

Submit one well report per well installed. See page two for instructions.

Type of Work:

- Construction
- Decommission \Rightarrow Original NOI No. _____

Ecology Well ID Tag No. BPA-215

Site Well Name MW-3

Consulting Firm DBD WASHINGTON LLC.

Was a variance approved for this well/boring? Yes No
If yes, what was the variance for? _____

WELL CONSTRUCTION CERTIFICATION: I constructed and/or accept responsibility for construction of this well, and its compliance with all Washington well construction standards. Materials used and the information reported are true to my best knowledge and belief.

Driller Trainee Engineer
 Name (Print Last, First Name) Rider, Daniel
 Driller/Engineer/Trainee Signature Daniel Rider
 License No. 3223
 Company Name Anderson Environmental Contracting LLC

If trainee box is checked, sponsor's license number: _____
 Sponsor's signature _____

Notice of Intent No. RE23927

Type of Well:

- Resource Protection Well Injection Point
 - Remediation Well Grounding Well
 - Geotechnical Soil Boring Ground Source Heat Pump
 - Environmental Boring Other _____
- \hookrightarrow Soil- Vapor- Water-sampling

Property Owner WASHINGTON DAIRY HOLDINGS LLC.

Well Street Address 5111 VAN BELLE RD

City OUTLOOK County YAKIMA

Tax Parcel No. 221016-42004

Location (see instructions): WWM or EWM
NW $\frac{1}{4}$ - $\frac{1}{4}$ SE $\frac{1}{4}$, Section 16 Town 10N Range 22E

Latitude (Example: 47.12345) _____

Longitude (Example: -120.12345) _____

(WGS 84 Coordinate System)

Borehole diameter 6 inches Casing diameter 2 inches

Static water level 17 ft below top of casing Date 12/28/2022

Above-ground completion with bollards Flush monument

\hookrightarrow Stick-up of top of well casing _____ ft above ground surface

Start Date 12/28/2022 Completed Date 12/28/2022

Construction/Design	Well Data	Formation Description
	Concrete Surface Seal Depth <u>2</u> FT	<u>0-17</u> FT
	Blank Casing (dia x dep) <u>2" x 12'</u>	DRY SILTY SAND
	Material <u>PVC</u>	
	Backfill _____ FT	
	Type <u>Chips</u>	<u>17-25</u> FT
	Seal <u>6</u> FT	WET SILTY SAND
	Gravel Pack <u>14</u> FT	
	Material <u>Sand</u>	
	Screen (dia x dep) <u>2" x 10'</u>	_____ FT
	Slot Size <u>.001</u>	
Material <u>PVC</u>		
Well Depth <u>22</u> FT		
Backfill <u>3'</u>		
Material <u>CHIPS</u>		
Total Hole Depth <u>25</u> FT		
		Space Reserved for Ecology Stamp of Receipt

ECY050-12 (07/2018) To request ADA accommodation including materials in a format for the visually impaired, call Ecology Water Resources Program 360-407-6872. Persons with impaired hearing may call Washington Relay Service at 711. Persons with speech disability may call TTY at 877-833-6341.



Resource Protection Well Report

Submit one well report per well installed. See page two for instructions.

Type of Work:

- Construction
- Decommission \Rightarrow Original NOI No. _____

Ecology Well ID Tag No. BPA-216

Site Well Name MW-4

Consulting Firm DBD WASHINGTON LLC.

Was a variance approved for this well/boring? Yes No

If yes, what was the variance for? _____

WELL CONSTRUCTION CERTIFICATION: I constructed and/or accept responsibility for construction of this well, and its compliance with all Washington well construction standards. Materials used and the information reported are true to my best knowledge and belief.

- Driller Trainee Engineer

Name (Print Last, First Name) Rider, Daniel

Driller/Engineer/Trainee Signature Daniel Rider

License No. 3223

Company Name Anderson Environmental Contracting LLC

If trainee box is checked, sponsor's license number: _____

Sponsor's signature _____

Notice of Intent No. RE23927

Type of Well:

- Resource Protection Well Injection Point
- Remediation Well Grounding Well
- Geotechnical Soil Boring Ground Source Heat Pump
- Environmental Boring Other _____

\hookrightarrow Soil- Vapor- Water-sampling

Property Owner WASHINGTON DAIRY HOLDINGS LLC.

Well Street Address 5111 VAN BELLE RD

City OUTLOOK County YAKIMA

Tax Parcel No. 221016-42004

Location (see instructions): WWM or EWM

NW $\frac{1}{4}$ - $\frac{1}{4}$ SE $\frac{1}{4}$, Section 16 Town 10N Range 22E

Latitude (Example: 47.12345) _____

Longitude (Example: -120.12345) _____

(WGS 84 Coordinate System)

Borehole diameter 6 inches Casing diameter 2 inches

Static water level 14 ft below top of casing Date 12/28/2022

- Above-ground completion with bollards Flush monument

\hookrightarrow Stick-up of top of well casing _____ ft above ground surface

Start Date 12/28/2022 Completed Date 12/28/2022

Construction/Design	Well Data	Formation Description
	Concrete Surface Seal Depth <u>2</u> FT	<u>0-14</u> FT DRY SILTY SAND
	Blank Casing (dia x dep) <u>2" x 9'</u>	
	Material <u>PVC</u>	
	Backfill _____ FT	
	Type <u>Chips</u>	<u>14-20</u> FT WET SILTY SAND
	Seal <u>3</u> FT	
	Gravel Pack <u>14</u> FT	
	Material <u>Sand</u>	
	Screen (dia x dep) <u>2" x 10'</u>	_____ FT
	Slot Size <u>.001</u>	
Material <u>PVC</u>		
Well Depth <u>19</u> FT		
Backfill <u>1'</u>		
Material <u>CHIPS</u>		
Total Hole Depth <u>20</u> FT		
		Space Reserved for Ecology Stamp of Receipt

ECY050-12 (07/2018) To request ADA accommodation including materials in a format for the visually impaired, call Ecology Water Resources Program 360-407-6872. Persons with impaired hearing may call Washington Relay Service at 711. Persons with speech disability may call TTY at 877-833-6341.



Resource Protection Well Report

Submit one well report per well installed. See page two for instructions.

Type of Work:

- Construction
- Decommission \Rightarrow Original NOI No. _____

Ecology Well ID Tag No. BPA-217

Site Well Name MW-5

Consulting Firm DBD WASHINGTON LLC.

Was a variance approved for this well/boring? Yes No

If yes, what was the variance for? _____

WELL CONSTRUCTION CERTIFICATION: I constructed and/or accept responsibility for construction of this well, and its compliance with all Washington well construction standards. Materials used and the information reported are true to my best knowledge and belief.

Driller Trainee Engineer
 Name (Print Last, First Name) Rider, Daniel
 Driller/Engineer/Trainee Signature Daniel Rider
 License No. 3223
 Company Name Anderson Environmental Contracting LLC

If trainee box is checked, sponsor's license number: _____
 Sponsor's signature _____

Notice of Intent No. RE23928

Type of Well:

- Resource Protection Well
 - Remediation Well
 - Geotechnical Soil Boring
 - Environmental Boring
 - Injection Point
 - Grounding Well
 - Ground Source Heat Pump
 - Other _____
- \hookrightarrow Soil- Vapor- Water-sampling

Property Owner SMD LLC.

Well Street Address 211 NICHOLS RD

City OUTLOOK County YAKIMA

Tax Parcel No. 221021-31002

Location (see instructions): WWM or EWM

NW 1/4-1/4 SW 1/4, Section 16 Town 10N Range 22E

Latitude (Example: 47.12345) _____

Longitude (Example: -120.12345) _____

(WGS 84 Coordinate System)

Borehole diameter 6 inches Casing diameter 2 inches

Static water level 9 ft below top of casing Date 12/28/2022

Above-ground completion with bollards Flush monument

\hookrightarrow Stick-up of top of well casing _____ ft above ground surface

Start Date 12/28/2022 Completed Date 12/28/2022

Construction/Design	Well Data	Formation Description
	Concrete Surface Seal Depth <u>2</u> FT	<u>0-9</u> FT
	Blank Casing (dia x dep) <u>2" x 6'</u>	SILTY SAND
	Material <u>PVC</u>	
	Backfill _____ FT	
	Type <u>Chips</u>	<u>9-20</u> FT
	Seal <u>2</u> FT	WET SILTY SAND
	Gravel Pack <u>12</u> FT	
	Material <u>Sand</u>	
	Screen (dia x dep) <u>2" x 10'</u>	_____ FT
	Slot Size <u>.001</u>	
Material <u>PVC</u>		
Well Depth <u>16</u> FT		
Backfill <u>4'</u>		
Material <u>CHIPS</u>		
Total Hole Depth <u>20</u> FT		
		Space Reserved for Ecology Stamp of Receipt

ECY050-12 (07/2018) To request ADA accommodation including materials in a format for the visually impaired, call Ecology Water Resources Program 360-407-6872. Persons with impaired hearing may call Washington Relay Service at 711. Persons with speech disability may call TTY at 877-833-6341.



Resource Protection Well Report

Submit one well report per well installed. See page two for instructions.

Type of Work:

- Construction
- Decommission \Rightarrow Original NOI No. _____

Ecology Well ID Tag No. BPA-218

Site Well Name MW-6

Consulting Firm DBD WASHINGTON LLC.

Was a variance approved for this well/boring? Yes No

If yes, what was the variance for? _____

WELL CONSTRUCTION CERTIFICATION: I constructed and/or accept responsibility for construction of this well, and its compliance with all Washington well construction standards. Materials used and the information reported are true to my best knowledge and belief.

- Driller Trainee Engineer

Name (Print Last, First Name) Rider, Daniel

Driller/Engineer/Trainee Signature Daniel Rider

License No. 3223

Company Name Anderson Environmental Contracting LLC

If trainee box is checked, sponsor's license number: _____

Sponsor's signature _____

Notice of Intent No. RE23928

Type of Well:

- Resource Protection Well Injection Point
- Remediation Well Grounding Well
- Geotechnical Soil Boring Ground Source Heat Pump
- Environmental Boring Other _____
- Soil- Vapor- Water-sampling

Property Owner SMD LLC.

Well Street Address 211 NICHOLS RD

City OUTLOOK County YAKIMA

Tax Parcel No. 221021-31002

Location (see instructions): WWM or EWM

SW $\frac{1}{4}$ - $\frac{1}{4}$ SW $\frac{1}{4}$, Section 16 Town 10N Range 22E

Latitude (Example: 47.12345) _____

Longitude (Example: -120.12345) _____

(WGS 84 Coordinate System)

Borehole diameter 6 inches Casing diameter 2 inches

Static water level 9 ft below top of casing Date 12/28/2022

- Above-ground completion with bollards Flush monument

\hookrightarrow Stick-up of top of well casing _____ ft above ground surface

Start Date 12/28/2022 Completed Date 12/28/2022

Construction/Design	Well Data	Formation Description
	Concrete Surface Seal Depth <u>2</u> FT	<u>0-9</u> FT
	Blank Casing (dia x dep) <u>2" x 6'</u>	SILTY SAND
	Material <u>PVC</u>	
	Backfill _____ FT	
	Type <u>Chips</u>	<u>9-20</u> FT
	Seal <u>2</u> FT	WET SILTY SAND
	Gravel Pack <u>12</u> FT	
	Material <u>Sand</u>	
	Screen (dia x dep) <u>2" x 10'</u>	_____ FT
	Slot Size <u>.001</u>	
Material <u>PVC</u>		
Well Depth <u>16</u> FT		
Backfill <u>4'</u>		
Material <u>CHIPS</u>		
Total Hole Depth <u>20</u> FT		
		Space Reserved for Ecology Stamp of Receipt

ECY050-12 (07/2018) To request ADA accommodation including materials in a format for the visually impaired, call Ecology Water Resources Program 360-407-6872. Persons with impaired hearing may call Washington Relay Service at 711. Persons with speech disability may call TTY at 877-833-6341.



Resource Protection Well Report

Submit one well report per well installed. See page two for instructions.

Type of Work:

- Construction
- Decommission \Rightarrow Original NOI No. _____

Ecology Well ID Tag No. BPA-219

Site Well Name MW-7

Consulting Firm DBD WASHINGTON LLC.

Was a variance approved for this well/boring? Yes No

If yes, what was the variance for? _____

WELL CONSTRUCTION CERTIFICATION: I constructed and/or accept responsibility for construction of this well, and its compliance with all Washington well construction standards. Materials used and the information reported are true to my best knowledge and belief.

Driller Trainee Engineer

Name (Print Last, First Name) Rider, Daniel

Driller/Engineer/Trainee Signature Daniel Rider

License No. 3223

Company Name Anderson Environmental Contracting LLC

If trainee box is checked, sponsor's license number: _____

Sponsor's signature _____

Notice of Intent No. RE23929

Type of Well:

- Resource Protection Well Injection Point
 - Remediation Well Grounding Well
 - Geotechnical Soil Boring Ground Source Heat Pump
 - Environmental Boring Other _____
- \hookrightarrow Soil- Vapor- Water-sampling

Property Owner WASHINGTON DAIRY HOLDINGS LLC.

Well Street Address 1270 OUTLOOK RD

City OUTLOOK County YAKIMA

Tax Parcel No. 221028-22001

Location (see instructions): WWM or EWM

NW $\frac{1}{4}$ - $\frac{1}{4}$ NW $\frac{1}{4}$, Section 16 Town 10N Range 22E

Latitude (Example: 47.12345) _____

Longitude (Example: -120.12345) _____

(WGS 84 Coordinate System)

Borehole diameter 6 inches Casing diameter 2 inches

Static water level 7 ft below top of casing Date 12/28/2022

Above-ground completion with bollards Flush monument

\hookrightarrow Stick-up of top of well casing _____ ft above ground surface

Start Date 12/28/2022 Completed Date 12/28/2022

Construction/Design	Well Data	Formation Description
	Concrete Surface Seal Depth <u>2</u> FT	<u>0-7</u> FT
	Blank Casing (dia x dep) <u>2" x 5'</u>	SILTY SAND
	Material <u>PVC</u>	
	Backfill _____ FT	
	Type <u>Chips</u>	<u>7-20</u> FT
	Seal <u>1</u> FT	WET SILTY SAND
	Gravel Pack <u>12</u> FT	
	Material <u>Sand</u>	
	Screen (dia x dep) <u>2" x 10'</u>	_____ FT
	Slot Size <u>.001</u>	
Material <u>PVC</u>		
Well Depth <u>15</u> FT		
Backfill <u>5'</u>		
Material <u>CHIPS</u>		
Total Hole Depth <u>20</u> FT		
		Space Reserved for Ecology Stamp of Receipt

ECY050-12 (07/2018) To request ADA accommodation including materials in a format for the visually impaired, call Ecology Water Resources Program 360-407-6872. Persons with impaired hearing may call Washington Relay Service at 711. Persons with speech disability may call TTY at 877-833-6341.



Resource Protection Well Report

Submit one well report per well installed. See page two for instructions.

Type of Work:

- Construction
- Decommission \Rightarrow Original NOI No. _____

Ecology Well ID Tag No. BPA-220

Site Well Name MW-8

Consulting Firm DBD WASHINGTON LLC.

Was a variance approved for this well/boring? Yes No

If yes, what was the variance for? _____

WELL CONSTRUCTION CERTIFICATION: I constructed and/or accept responsibility for construction of this well, and its compliance with all Washington well construction standards. Materials used and the information reported are true to my best knowledge and belief.

Driller Trainee Engineer

Name (Print Last, First Name) Rider, Daniel

Driller/Engineer/Trainee Signature Daniel Rider

License No. 3223

Company Name Anderson Environmental Contracting LLC

If trainee box is checked, sponsor's license number: _____

Sponsor's signature _____

Notice of Intent No. RE23929

Type of Well:

- Resource Protection Well Injection Point
 - Remediation Well Grounding Well
 - Geotechnical Soil Boring Ground Source Heat Pump
 - Environmental Boring Other _____
- \hookrightarrow Soil- Vapor- Water-sampling

Property Owner WASHINGTON DAIRY HOLDINGS LLC.

Well Street Address 1270 OUTLOOK RD

City OUTLOOK County YAKIMA

Tax Parcel No. 221028-22001

Location (see instructions): WWM or EWM

NE $\frac{1}{4}$ - $\frac{1}{4}$ NW $\frac{1}{4}$, Section 16 Town 10N Range 22E

Latitude (Example: 47.12345) _____

Longitude (Example: -120.12345) _____

(WGS 84 Coordinate System)

Borehole diameter 6 inches Casing diameter 2 inches

Static water level 7 ft below top of casing Date 12/28/2022

Above-ground completion with bollards Flush monument

\hookrightarrow Stick-up of top of well casing 2 ft above ground surface

Start Date 12/28/2022 Completed Date 12/28/2022

Construction/Design

Well Data

Formation Description

	Concrete Surface Seal			
	Depth		FT	<u>0-7</u> FT
	Blank Casing (dia x dep)	<u>0" x 5'</u>		SILTY SAND
	Material	<u>PVC</u>		
	Backfill		FT	
	Type	<u>Chips</u>		<u>7-20</u> FT
	Seal	<u>3</u>	FT	WET SILTY SAND
	Gravel Pack	<u>12</u>	FT	
	Material	<u>Sand</u>		
	Screen (dia x dep)	<u>2" x 10'</u>		FT
	Slot Size	<u>.001</u>		
	Material	<u>PVC</u>		
Well Depth	<u>15</u>	FT		
Backfill	<u>5'</u>			
Material	<u>CHIPS</u>			
Total Hole Depth	<u>20</u>	FT		

**Space Reserved
for Ecology Stamp
of Receipt**

ECY050-12 (07/2018) To request ADA accommodation including materials in a format for the visually impaired, call Ecology Water Resources Program 360-407-6872. Persons with impaired hearing may call Washington Relay Service at 711. Persons with speech disability may call TTY at 877-833-6341.

RESOURCE PROTECTION WELL CONSTRUCTION PROCESS

After a well is constructed, modified or decommissioned, a well report must be filed within 30 days to the Department of Ecology. Well reports are completed by the person who constructed the well. This is typically a Washington State licensed well operator.

This well report form is used for resource protection wells and borings as indicated on the *Type of Well* section on page 1. Ecology also offers a web-based well reporting option for environmental investigation and geotechnical soil borings. Visit our website to learn more about the [Well Report Gateway](#).

Below are the instructions for filling out this well report. After the form has been printed and filled out, it should be mailed to the Department of Ecology regional office responsible for the area the well work was conducted.

INSTRUCTIONS

Type of Work: Construction/Decommission – This form is used for BOTH construction and decommissioning of a well. Please check the appropriate box. For decommissioning – enter the original construction Notice of Intent No. here (if available).

Ecology Well ID Tag No. – The number issued by the Department of Ecology that is stamped on a metal tag that is attached to the actual well. (e.g., AAA-000)

Site Well Name (if more than one well): If there is more than one well on the site, you may identify each well with a site well name or number and place it in this space. This is different from the Ecology Well ID Tag Number.

Consulting Firm – Which consulting firm managed the project?

Was a variance approved? – A variance request is submitted to a regional well coordinator if the regulations cannot be met. Explain the request here.

Well Construction Certification – Read the statements; enter the Driller and Drilling Company information; sign and date in the blanks provided.

Notice of Intent No. – The number issued by the Department of Ecology for tracking purposes (e.g., RE12345). Should start with an R, G, S, E or A for this form.

Type of Well – Check the appropriate box. An example of an *Other* well is a vibrating wire piezometer or instrumentation well. You can check more than one environmental boring type.

Property Owner Name – The person or business that owns the property.

Well Street Address – The physical address where the well is located. (Note: NOT the mailing address.)

City – City where the well is located.

County – County where the well is located.

Tax Parcel No. – County tax parcel number - enter *ROW* for right-of-way.

Location – The quarter-quarter, quarter, section, township and range (TRS) of the well. For example: the SE ¼-¼ of the NE ¼, S10, T20N, R05 – check box for East or West of the Willamette Meridian [*EWM/WWM*] for range. The web-based State Well Report Viewer in *map view* is one of the best places to determine well location using the TRS system.

Latitude/Longitude – Using a GPS or web-derived (Google Maps, Bing Maps, etc.) coordinates, enter the latitude and longitude of the well. Use the WGS84 coordinate system.

Borehole Diameter – The size of the bit used while drilling, in inches.

Casing Diameter – The nominal size of the installed casing, in inches.

Static water level – The depth in feet to water surface inside the well or boring, preferably to the hundredth (ie. 6.78 ft). A *static* water level implies the measurement is not disturbed by pumping or drilling. Include the date the measurement was taken.

Casing Stick-up – Indicate the distance in feet the casing rises above ground surface, preferably to the hundredth (ie. 2.34 ft).

Construction Design – Draw a schematic of the well construction design.

Well Data – Explain the materials used and installation depths from the Construction Design section.

Driller's Log – Describe the thickness and composition of geologic materials, water bearing strata, or other details noted while drilling. Also, decommissioning procedures and additional location information can be written here.



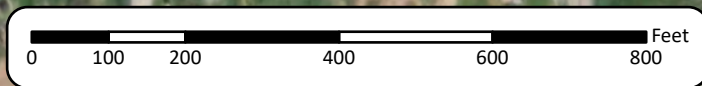
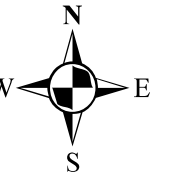
NO.	DESCRIPTION	DATE	DRAFT	REVIEW
1	TITLE BLOCK CHANGES	4/26/23	EK	JA
2	GIS CC	4/27/23	EK	JH
3				
4				
5				

NOTES

GROUNDWATER MONITORING WELLS
 DBD WASHINGTON LLC DAIRY
 CAFOM10
EXHIBIT 4a
 DATE: 4/27/2023
 Path: \\wrtf61\MAPS\CAFOM10\2023\CAFOM10_maps.aprx, Author: jhulla



- ◆ Existing Wells
- ◆ Pilot Program Proposed Wells



- ◆ Existing Wells
- ◆ Pilot Program Proposed Wells

NO.	DESCRIPTION	DATE	DRAFT	REVIEW
1	TITLE BLOCK CHANGES	4/27/23	EK	JA
2	GIS CC	4/27/23	EK	JH
3				
4				
5				

NOTES

GROUNDWATER MONITORING WELLS

SMD LLC DAIRY

CAFOM10

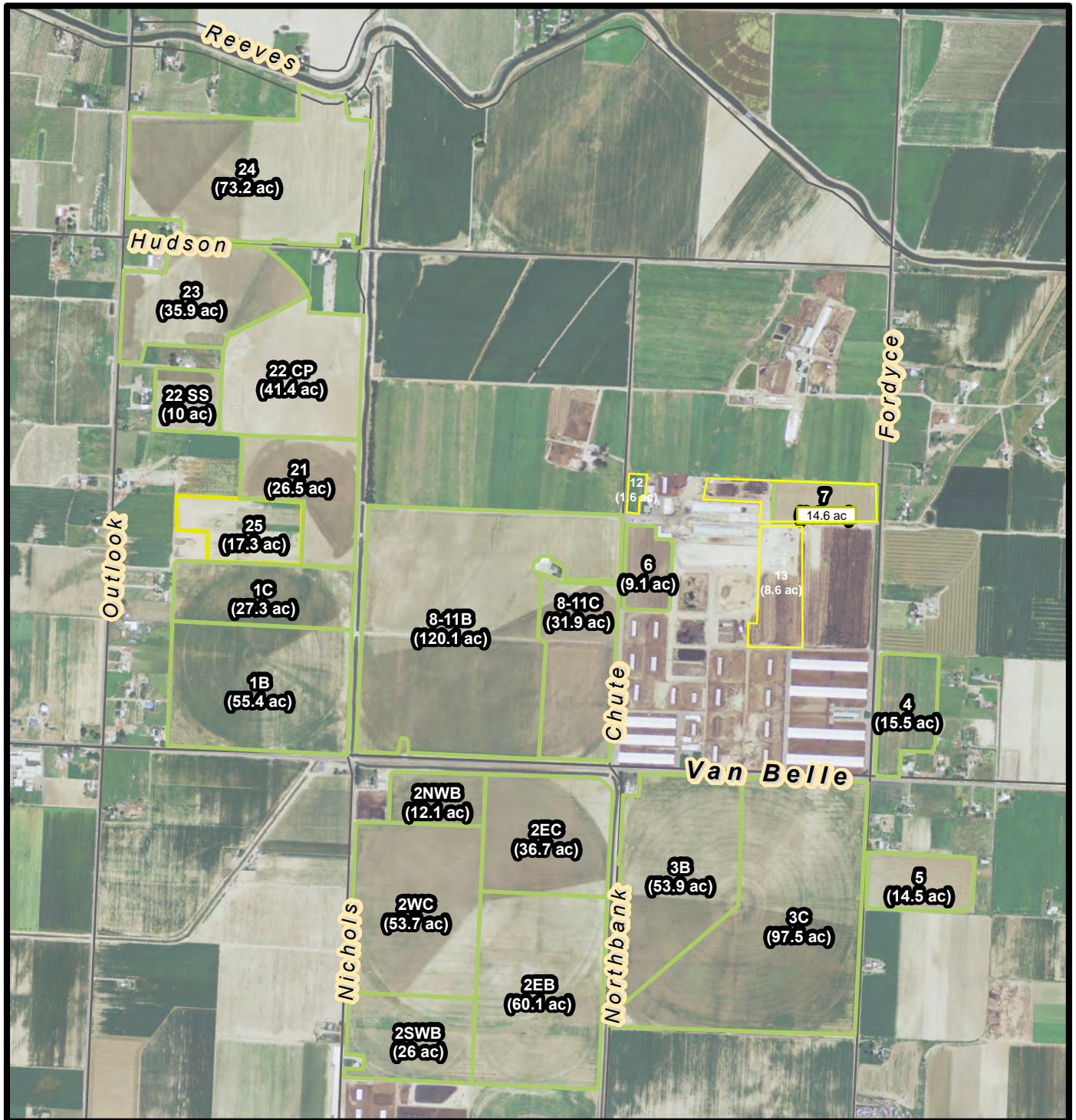
DATE: 4/27/2023

EXHIBIT 4b

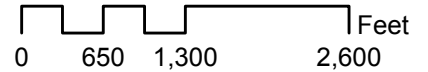
Path: \\wtrf61\MAPS\CAF0\CAFOM10\2023\CAF0_maps.aprx, Author: jhulla



DeRuyter Brothers



Agrimanagement, Inc.



SMD, LLC Application Fields

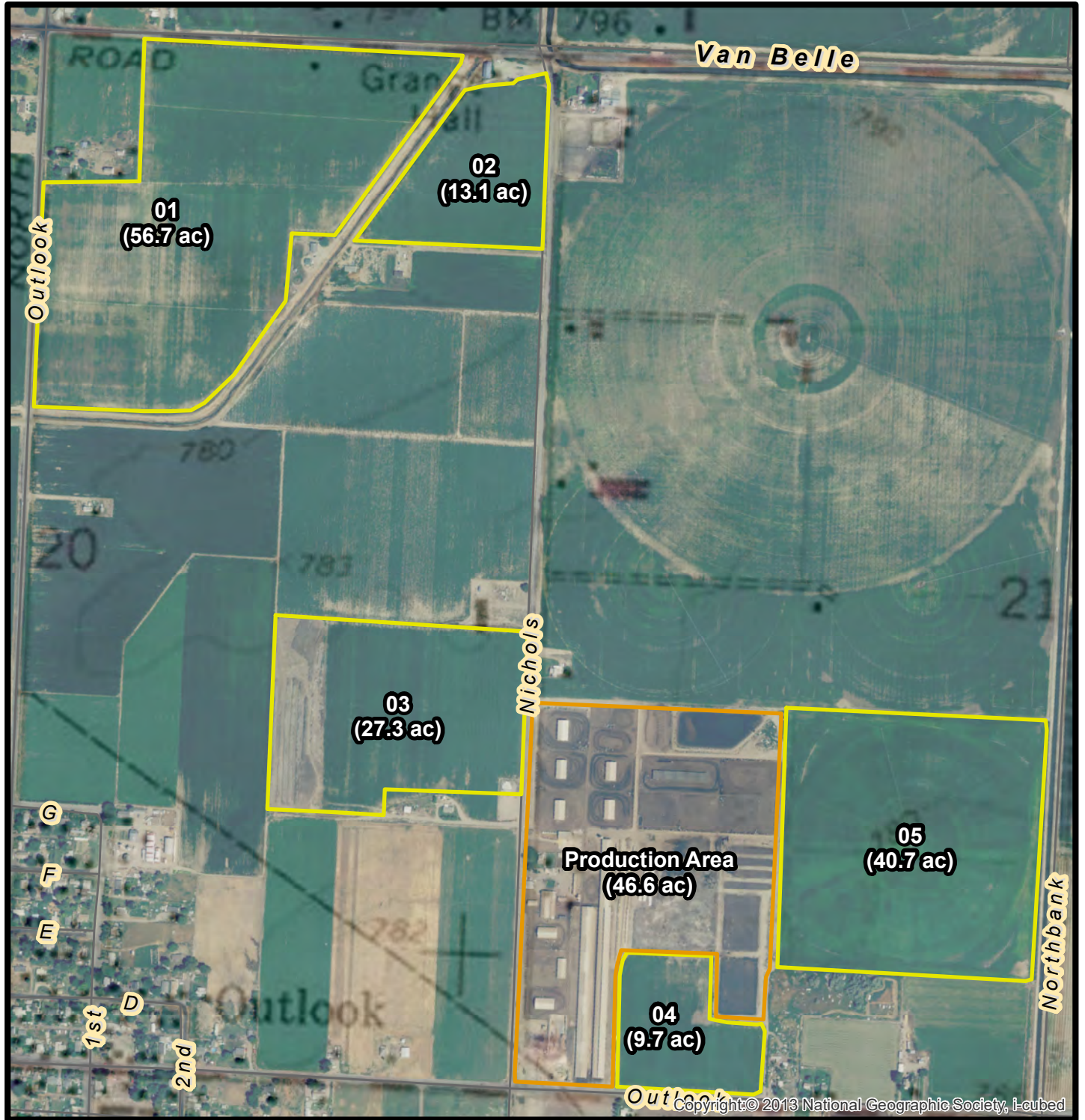
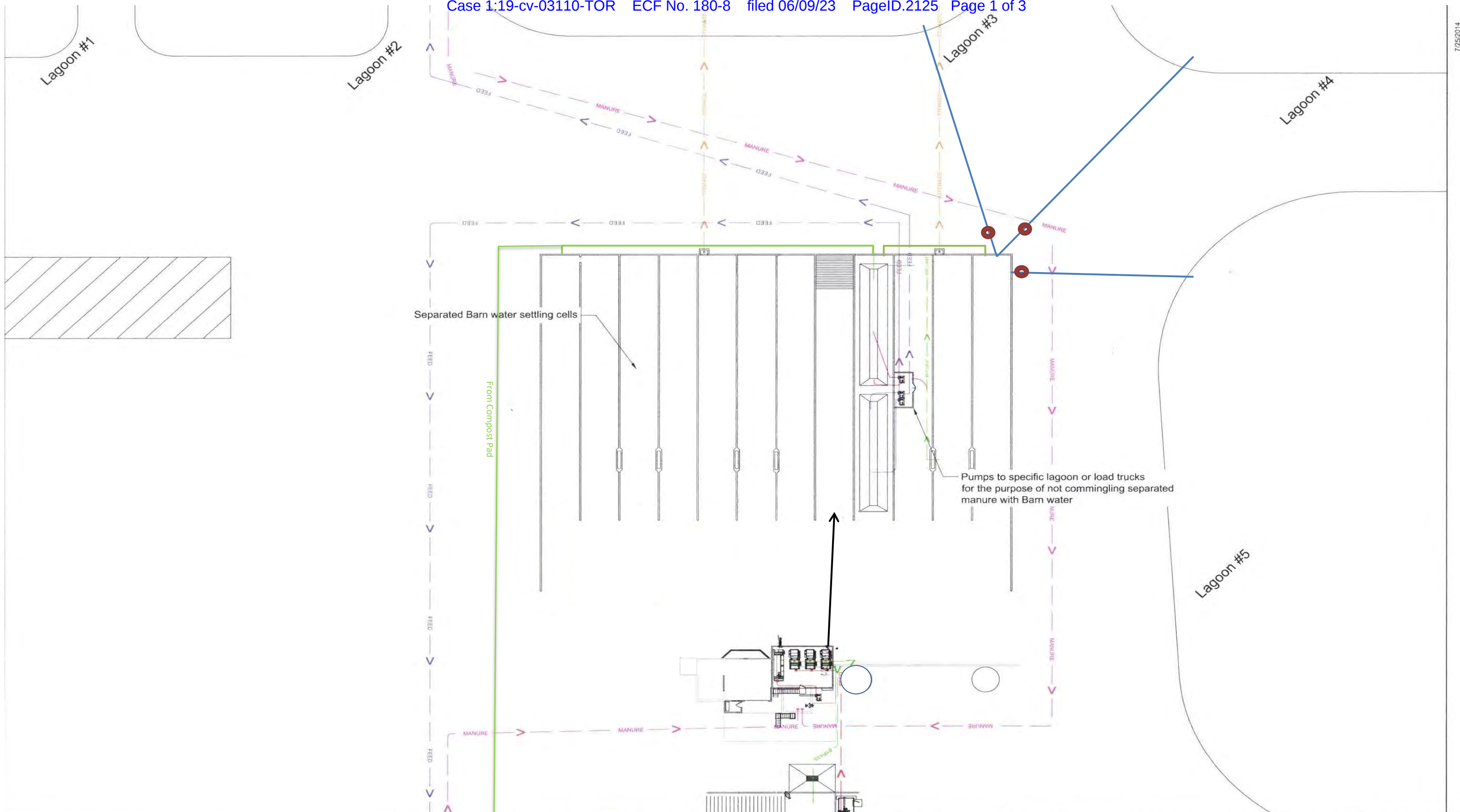


Exhibit 7

Manure Management Records

- Manure application records (volume, date, source)
- Manure export records (volume/weight, date, type, location)
 - Liquid exports (volume, date, type, location)
 - Solid exports for manure and compost (weight, date, type, location)
- Manure source reports (measured nutrient concentrations, nutrient availability in manure)
- Soil nutrient testing records
- Results of crop tissue testing used for nutrient budgeting
- Assumptions used in calculating agronomic rates
- Nutrient budgets for each application field
- Phosphorus levels in the feed ration for the milking cows
- Updates to the Dairies' Nutrient Management Plan(s) (if applicable)
- Copy of Dairies' CAFO permit annual report(s)
- Updates to the Dairies' Manure Pollution Prevention Plan(s) (if applicable)



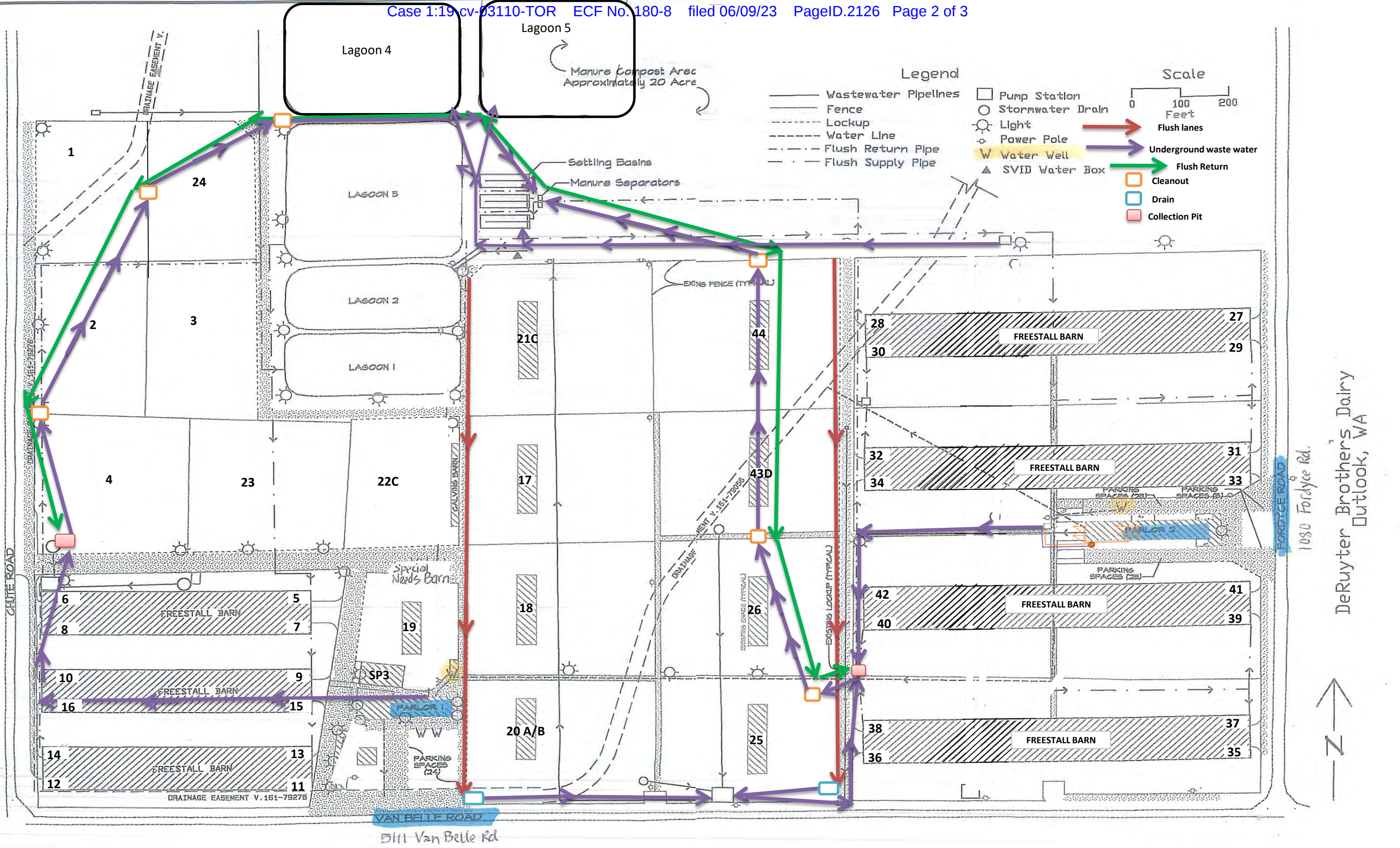
0	5/19/14	Submitted for Review	RLT
1	7/25/14	Edits per Customer Review	RLT
2	6/06/22	Edits per system re install	JWM
3	7/11/22	Separated barn water & Manure	JWM
NO.	DATE	REVISION	BY


 8540 Benson Road Phone: (360) 354-6900
 Lynden, WA 98264 Fax: (360) 354-7522
www.daritech.com

DRG. NO.	20120242-1
DESIGNED BY	DARITECH
SCALE	N/A
DRAWN BY	RT
CHECKED BY	JM
DATE	7/25/2014
REV	1

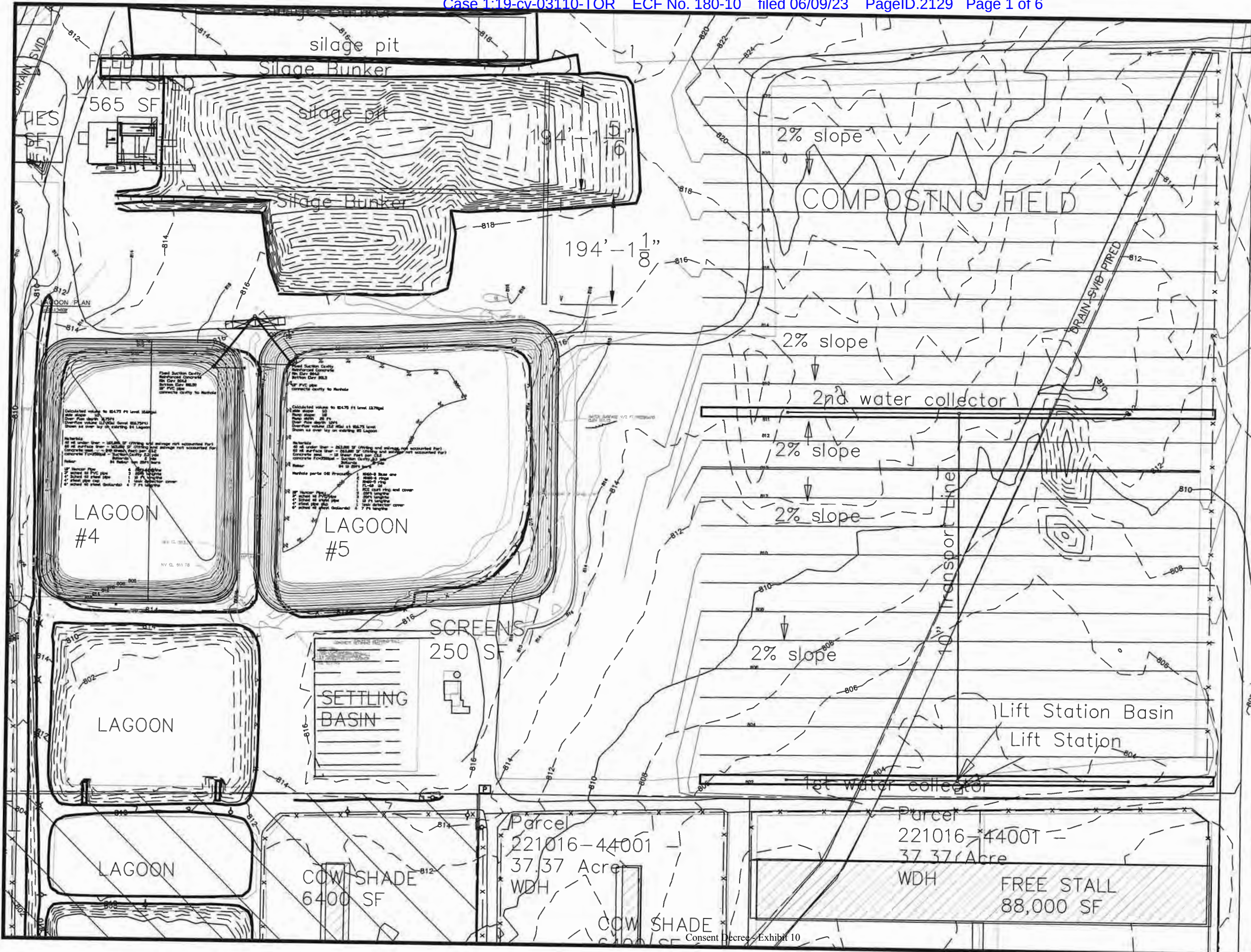
Manure Process *ALLEY VAC*
 DBD Dairy
 5111 Van Belle Rd. Outlook, WA 98938

SHEET: **1**







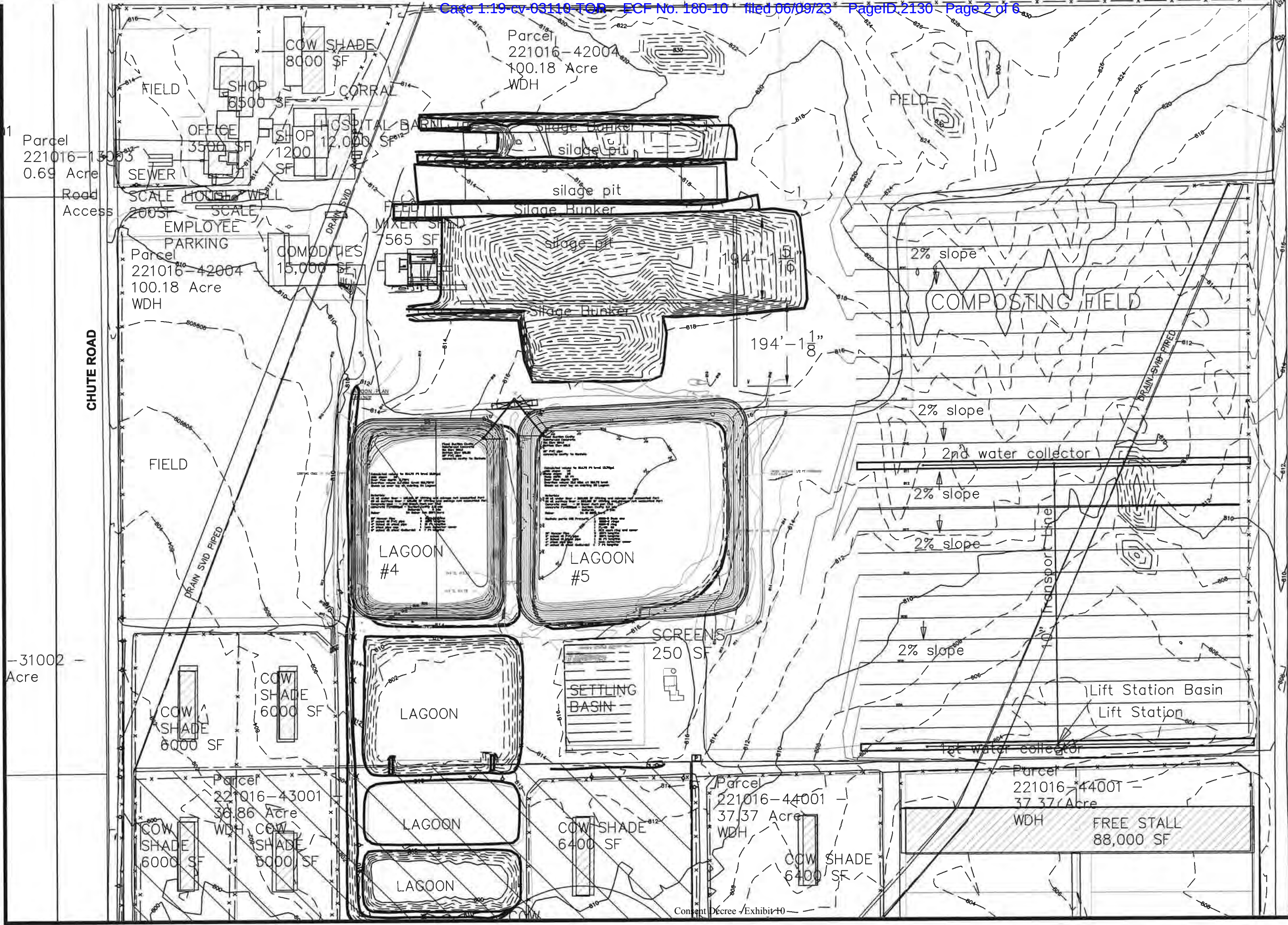


FORDYCE ROAD	Parcel 221016-44001 33.15 Acre	Sheet: C1.1 Drawn by: TWB
	Parcel 221016-44001 3 Acre	Revisions: 22 May 2023
	Parcel 221016-44001 2.95 Acre	WAI DBD Compost B7 Job 22067B
	Parcel 221016-44001 33.15 Acre	B7 ENGINEERING PO Box 487 1614 Eastway Drive Sunnyside Wa, 98944 (509) 837-8600

NOTES

Parcel 221016-44001
33.15 Acre





Sheet: C2.1
Drawn by: TWB

Revisions:
21 Dec 2022
28 Feb 2023
19 May 2023

WAI DBD Lagoons
B7 Job 22067

B7 ENGINEERING
PO Box 487
1614 Eastway Drive
Sunnyside Wa 98944
(509) 837-8600

Parcel 221016-13003
0.69 Acre
Road Access

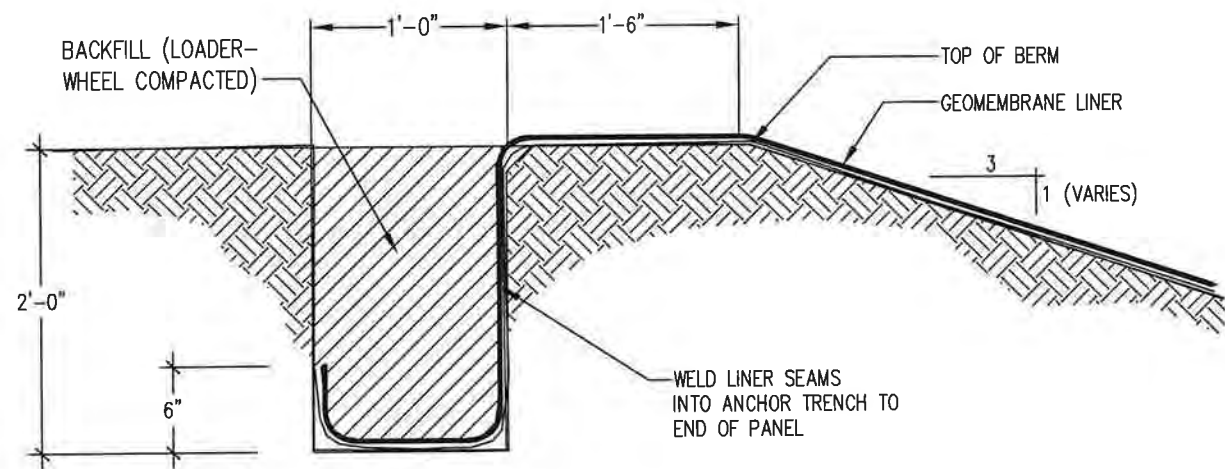
-31002 Acre

Parcel 221016-42004
100.18 Acre
WDH

Parcel 221016-42004
100.18 Acre
WDH

Parcel 221016-44001
37.37 Acre
WDH

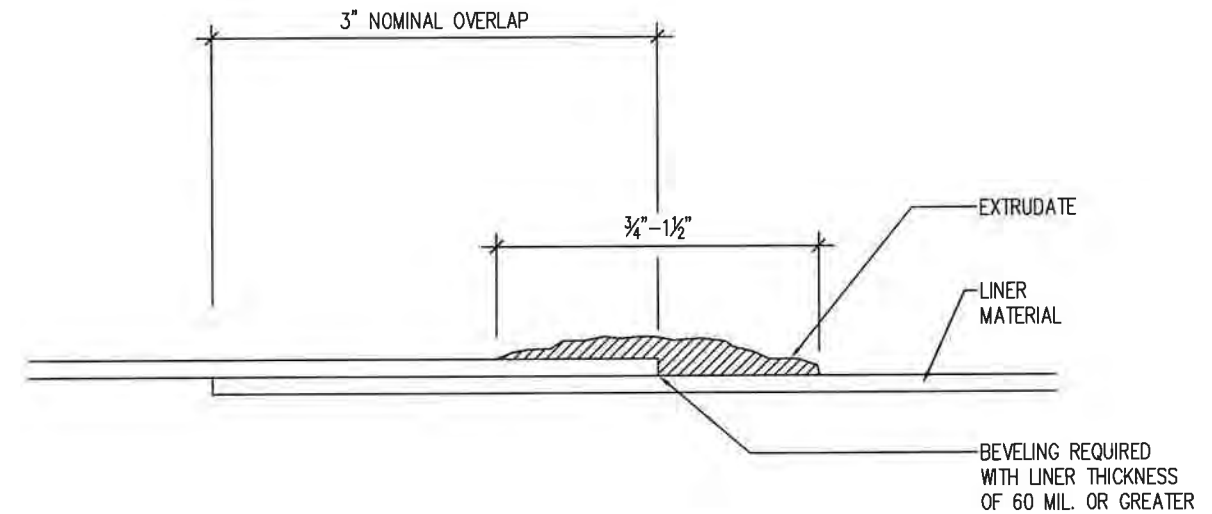
Parcel 221016-44001
37.37 Acre
WDH
FREE STALL
88,000 SF



TYPICAL ANCHOR TRENCH
EXPOSED LINING SYSTEM
H.D.P.E. - POLYPROPYLENE - URETHANE - COOLGUARD - XR 5
N T S

Northwest Linings & Geotextile Products, Inc (NWL) is not a licensed engineering firm and does not practice engineering or provide engineering services. NWL does not make any representation or warranties, express or implied, as to any drawings, or the suitability of any of the drawings for a particular use or purpose. Without limiting the foregoing, NWL makes no representation or warranty that the drawings are appropriate for any particular installation. Only a registered professional engineer who has specialized knowledge of a particular project and the needs and requirements of such project can determine what specific design, engineering or installation detail is best suited for each project.

SHEET NO.	DETAIL		NORTHWEST LININGS & GEOTEXTILE PRODUCTS, Inc. www.northwestlinings.com 21000 77TH AVE. SOUTH KENT, WA. 98032 (253) 872-0244 (253) 872-0245 FAX			
			JOB NAME:			
			JOB NO.			
			DATE:	3 13 12	CHECKED:	SN/KL
BY:	SG	SCALE:	NTS			



NOTES:

- LINER SHEETS TACK WELDED TOGETHER AT OVERLAP TO FORM TEMPORARY BOND PRIOR TO WELDING
- GRINDING NOT TO EXCEED 1/4" PAST 'SQUEEZE-OUT' ON EITHER SIDE. PROPER CARE SHOULD BE TAKEN IN NOT REMOVING TOO MUCH MATERIAL WHEN GRINDING
- VACUUM TESTING IS THE NONDESTRUCTIVE SEAM TEST METHOD FOR EXTRUSION WELDS

EXTRUSION WELD
N T S

Northwest Linings & Geotextile Products, Inc (NWL) is not a licensed engineering firm and does not practice engineering or provide engineering services. NWL does not make any representation or warranties, express or implied, as to any drawings, or the suitability of any of the drawings for a particular use or purpose. Without limiting the foregoing, NWL makes no representation or warranty that the drawings are appropriate for any particular installation. Only a registered professional engineer who has specialized knowledge of a particular project and the needs and requirements of such project can determine what specific design, engineering or installation detail is best suited for each project.

SHEET NO.	DETAIL		NORTHWEST LININGS & GEOTEXTILE PRODUCTS, Inc. www.northwestlinings.com 21000 77TH AVE. SOUTH KENT, WA. 98032 (253) 872-0244 (253) 872-0245 FAX			
			JOB NAME:			
			JOB NO.			
			DATE:		CHECKED:	
BY:		SCALE:				

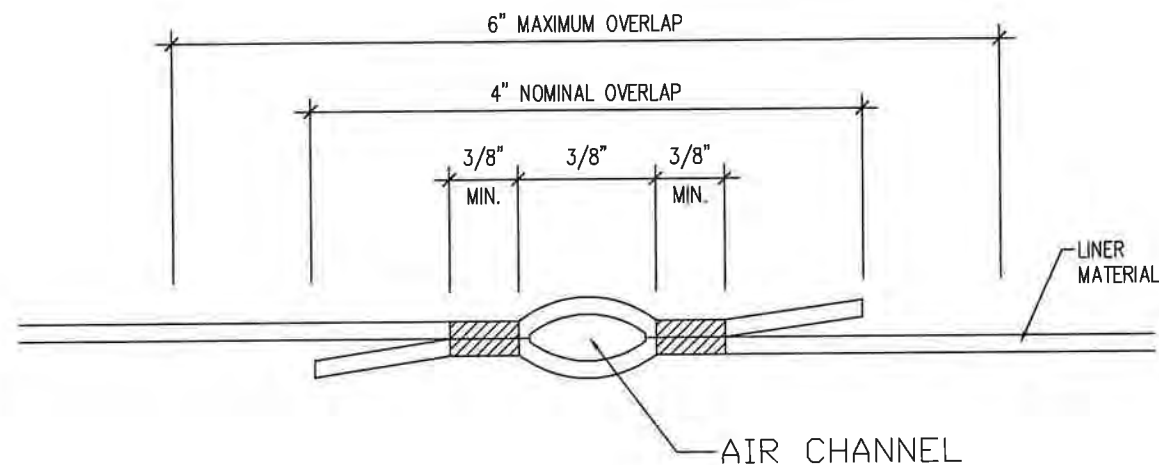
Sheet: C3.1
Drawn by: TWB

Revisions: 24 May 2023

WAI DBD COMPOST FIELD

B7 Job 22067

B7 ENGINEERING
PO Box 487
1614 Eastway Drive
Sunnyside Wa, 98944
(509) 837-8600



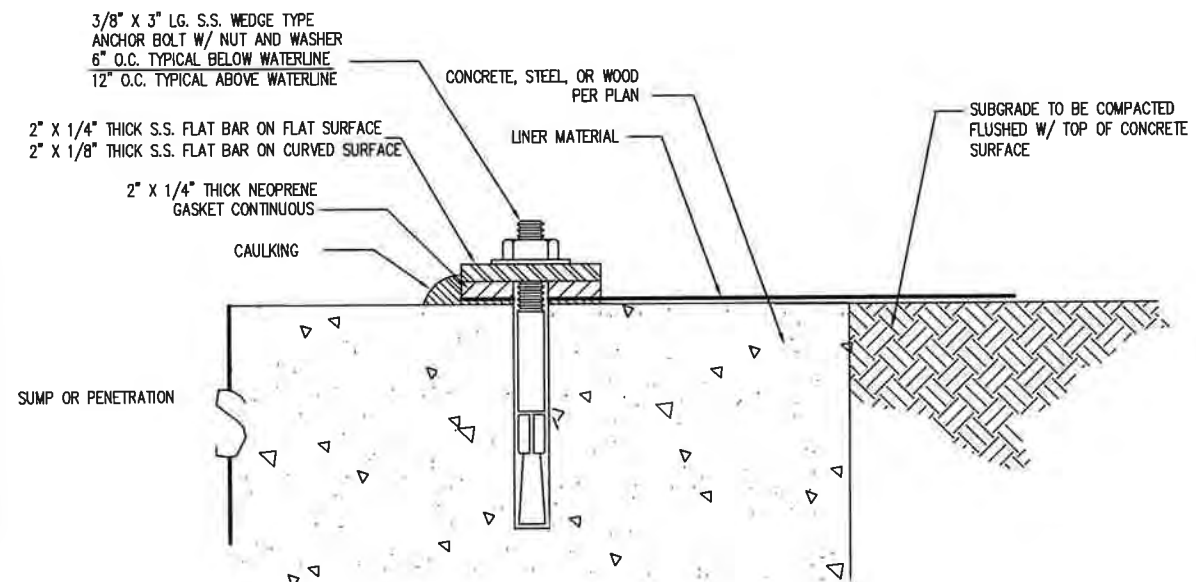
NOTES:

AIR PRESSURE TESTING IS THE PRIMARY METHOD FOR NON DESTRUCTIVE TESTING
DOUBLE FUSION WELDING

DOUBLE FUSION WELD
N T S

Northwest Linings & Geotextile Products, Inc. (NWL) is not a licensed engineering firm and does not practice engineering or provide engineering services. NWL does not make any representation or warranties, express or implied, as to any drawings, or the suitability of any of the drawings for a particular use or purpose. Without limiting the foregoing, NWL makes no representation or warranty that the drawings are appropriate for any particular installation. Only a registered professional engineer who has specialized knowledge of a particular project and the needs and requirements of such project can determine what specific design, engineering or installation detail is best suited for each project.

SHEET NO.	DETAIL	NORTHWEST LININGS & GEOTEXTILE PRODUCTS, Inc. www.northwestlinings.com 21000 77TH AVE. SOUTH KENT, WA. 98032 (253) 872-0244 (253) 872-0245 FAX	JOB NAME:	
			JOB NO.	
			DATE: 5 20 11	CHECKED:
			BY:	SCALE:



HORIZONTAL METAL BATTEN STRIP DETAIL
12" O.C. TYPICAL-ABOVE WATERLINE
6" O.C. TYPICAL-BELOW WATERLINE
N T S

Northwest Linings & Geotextile Products, Inc. (NWL) is not a licensed engineering firm and does not practice engineering or provide engineering services. NWL does not make any representation or warranties, express or implied, as to any drawings, or the suitability of any of the drawings for a particular use or purpose. Without limiting the foregoing, NWL makes no representation or warranty that the drawings are appropriate for any particular installation. Only a registered professional engineer who has specialized knowledge of a particular project and the needs and requirements of such project can determine what specific design, engineering or installation detail is best suited for each project.

SHEET NO.	DETAIL	NORTHWEST LININGS & GEOTEXTILE PRODUCTS, Inc. www.northwestlinings.com 21000 77TH AVE. SOUTH KENT, WA. 98032 (253) 872-0244 (253) 872-0245 FAX	JOB NAME:	
			JOB NO.	
			DATE:	CHECKED:
			BY:	SCALE:

Sheet: C3.2
Drawn by: TWB

Revisions: 24 May 2022

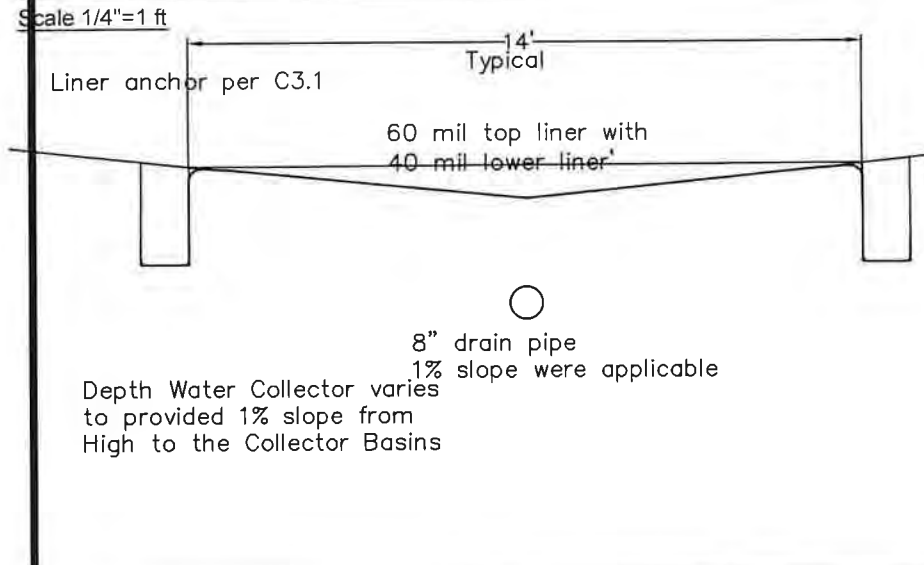
WAI DBD COMPOST FIELD

B7 Job 22067B

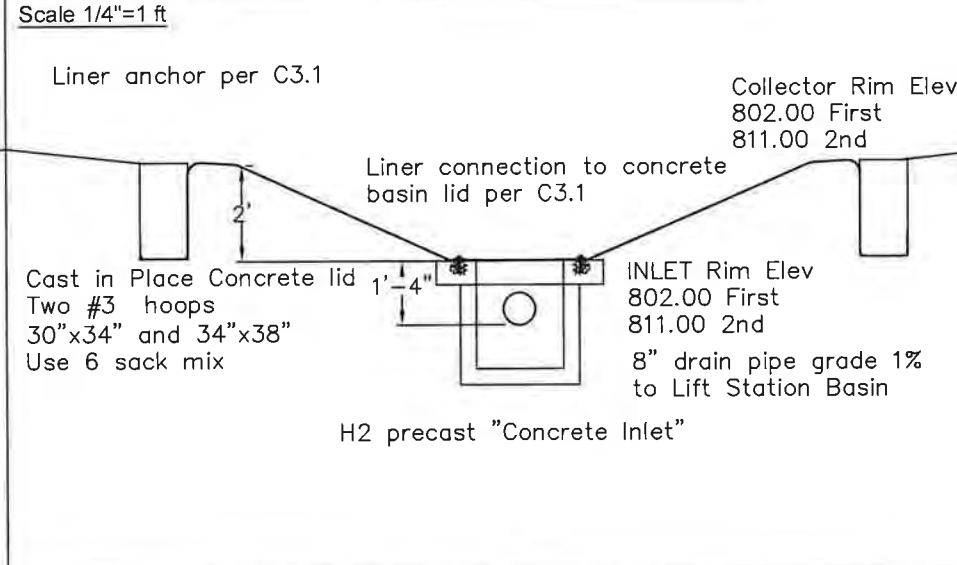
B7 ENGINEERING

PO Box 487
1614 Eastway Drive
Sunnyside Wa. 98944
(509) 837-8600

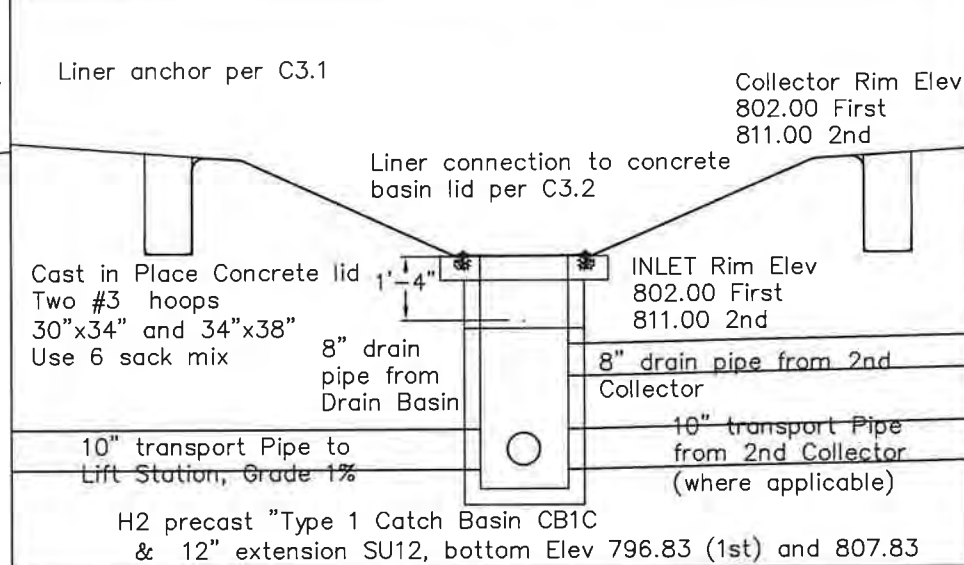
SECTION - WATER COLLECTOR



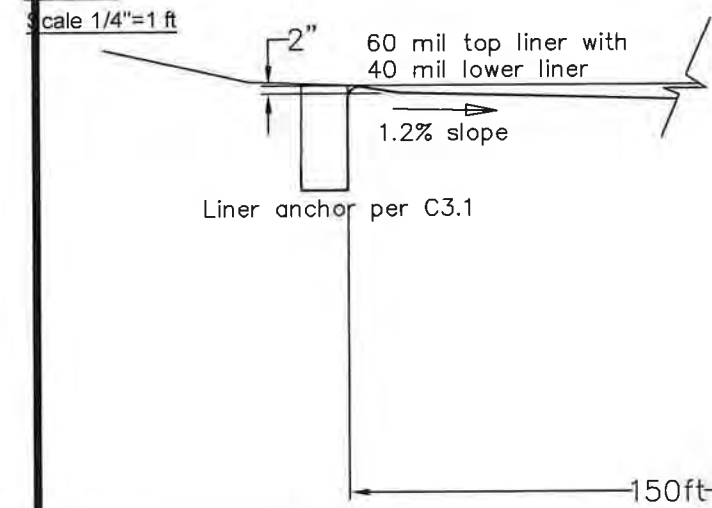
SECTION - WATER COLLECTOR DRAIN BASIN



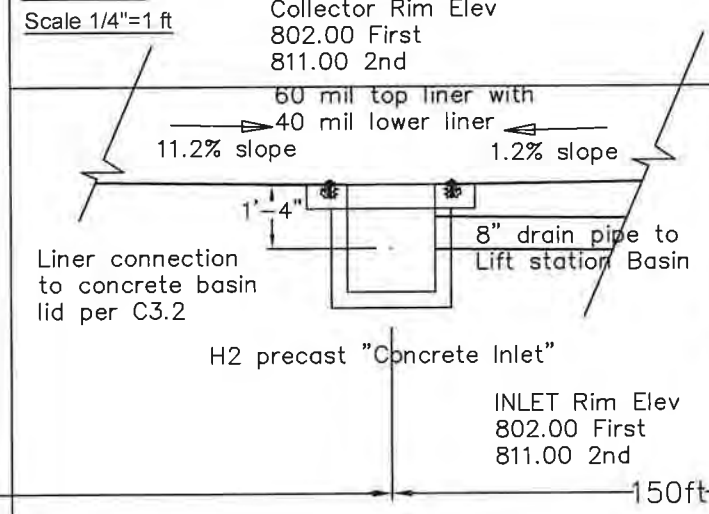
SECTION - LIFT STATION BASIN



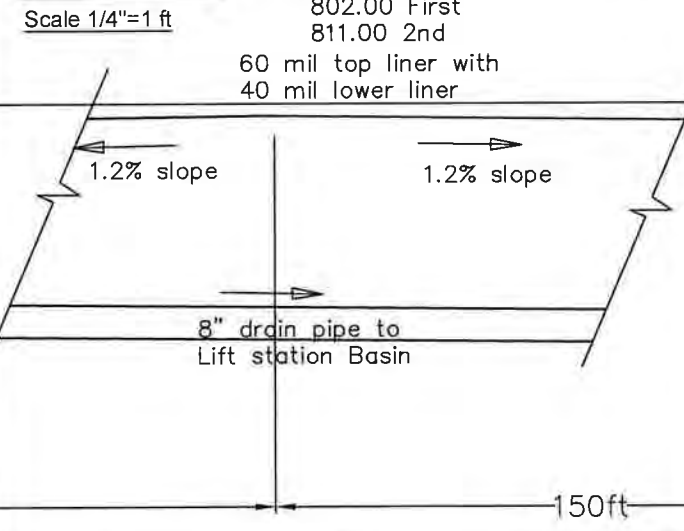
LONGITUDINAL PROFILE - COLLECTOR ENDS



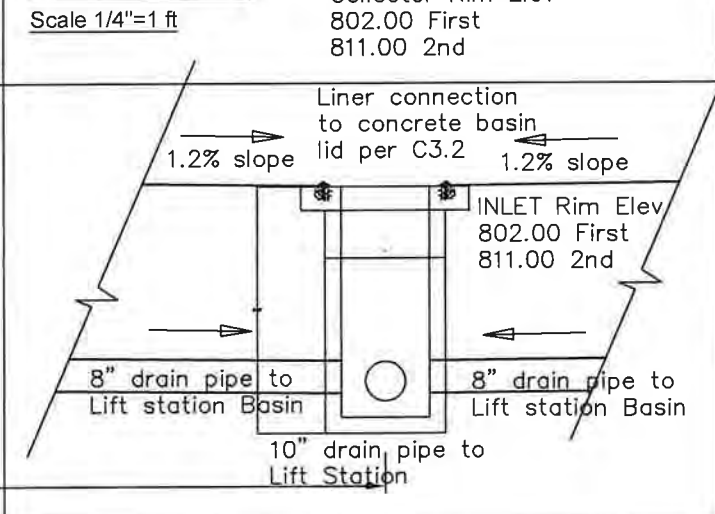
LONGITUDINAL PROFILE - COLLECTOR BASINS



LONGITUDINAL PROFILE - COLLECTOR HIGH POINT (2nd)



LONGITUDINAL PROFILE - COLLECTOR LIFT STATION



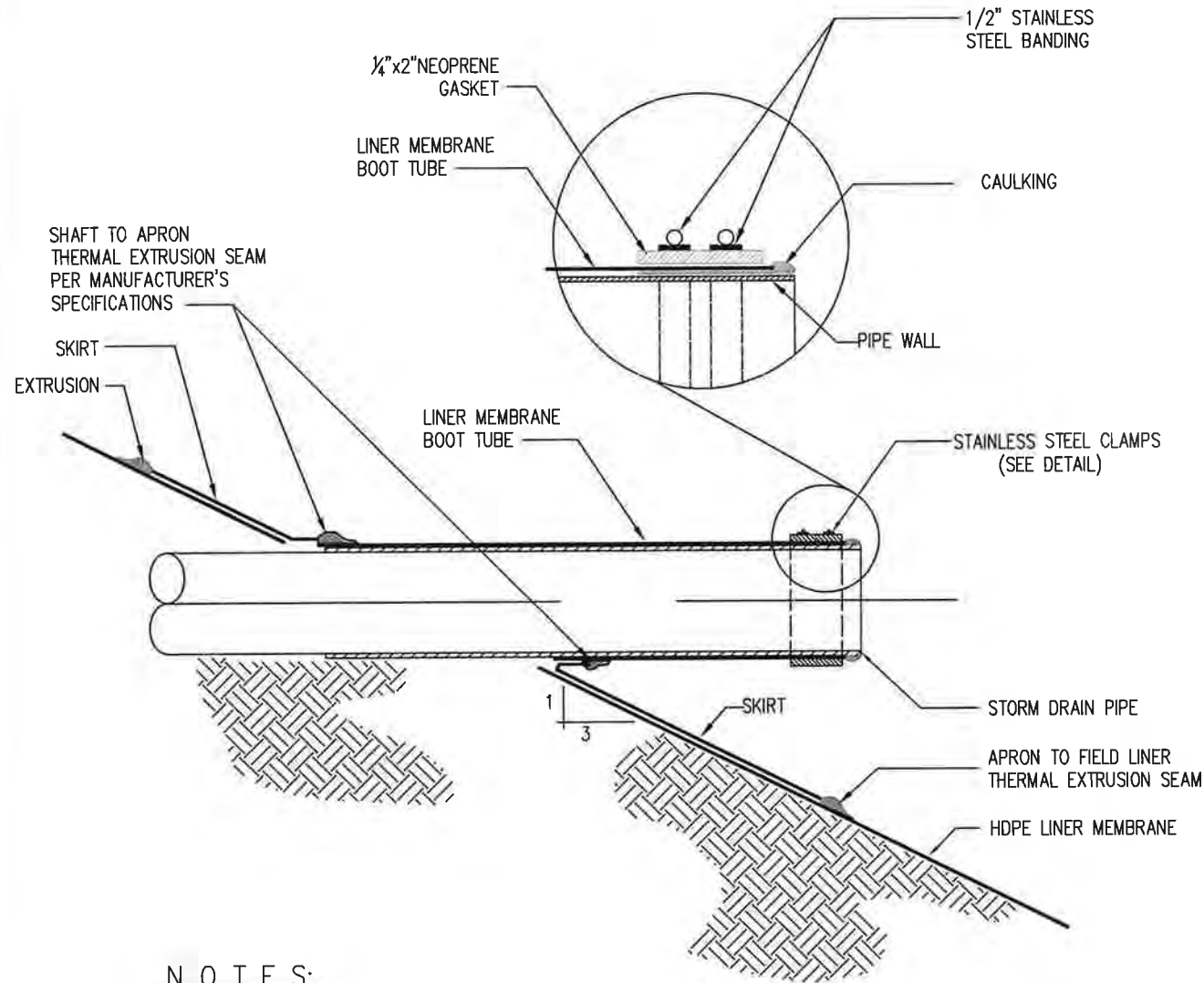
Sheet: C3.3
Drawn by: TWB

Revisions: 24 May 2023

WAI DBD COMPOST FIELD

B7 Job 22067B

B7 ENGINEERING
PO Box 487
1614 Eastway Drive
Sunnyside Wa, 98944
(509) 837-8600



NOTES:

HOLE FOR PENETRATION OF MEMBRANE SHALL BE CUT UNDERSIZED SO THAT STRETCHED LINER FORMS A 1" FLANGE OVER THE PIPE

LINER SLOPE PENETRATION DETAIL (PIPE)

HDPE, LLDPE

NTS

Northwest Linings & Geotextile Products, Inc. (NWL) is not a licensed engineering firm and does not practice engineering or provide engineering services. NWL does not make any representation or warranties, express or implied, as to any drawings, or the suitability of any of the drawings for a particular use or purpose. Without limiting the foregoing, NWL makes no representation or warranty that the drawings are appropriate for any particular installation. Only a registered professional engineer who has specialized knowledge of a particular project and the needs and requirements of such project can determine what specific design, engineering or installation detail is best suited for each project.

SHEET NO.	DETAIL	<p>NORTHWEST LININGS & GEOTEXTILE PRODUCTS, Inc.</p> <p>www.northwestlinings.com</p> <p>21000 77TH AVE. SOUTH KENT, WA. 98032</p> <p>(253) 872-0244 (253) 872-0243 FAX</p>	JOB NAME:			
			JOB NO.			
			DATE:	12 11 07	CHECKED:	KL/SK
			BY:	SG	SCALE:	NTS

B7 ENGINEERING

PO Box 487
1614 Eastway Drive
Sunnyside Wa, 98944
(509) 837-8600

WAI DBD #5 Lagoon

B7 Job 22067

Revisions:
21 Dec 2022
19 May 2023

Sheet: C3,4
Drawn by: TWB